

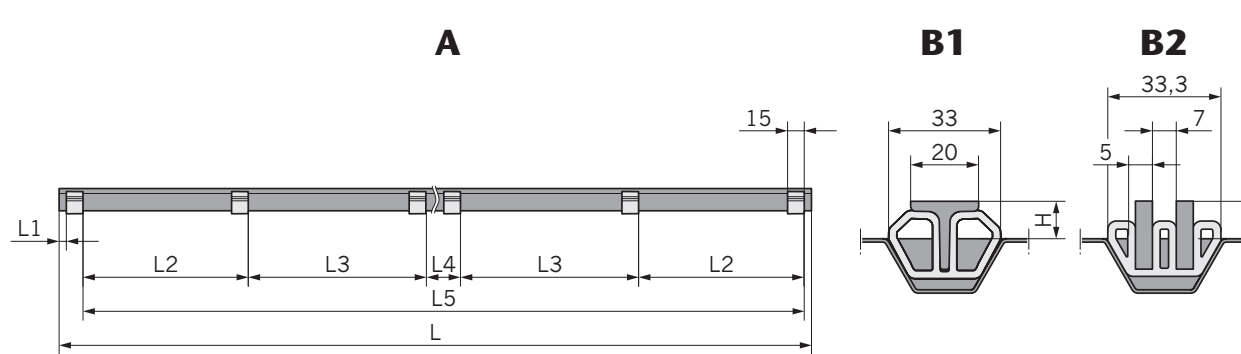
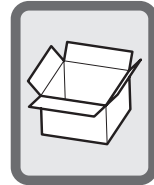
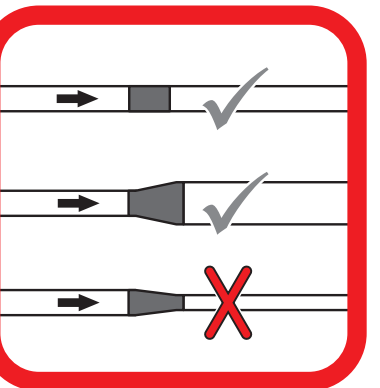
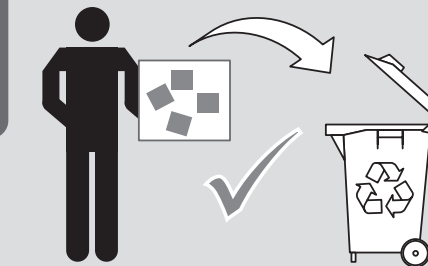
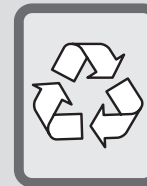


www.aco.com

ACO ShowerDrain S-line



2012-09-07



	Art.	L (A) [mm]	L 1 (A) [mm]	L 2 (A) [mm]	L 3 (A) [mm]	L 4 (A) [mm]	L 5 (A) [mm]	H (B) [mm]
Design „Plate“	9010.75.50	700	6,5	224	–	224	672	4 x (H = 11, 14, 16, 18, 22)
	9010.75.51	800	8,5	256	–	256	768	4 x (H = 11, 14, 16, 18, 22)
	9010.75.52	900	7,5	174	174	174	870	6 x (H = 11, 14, 16, 18, 22)
	9010.75.53	1000	7,5	194	194	194	970	6 x (H = 11, 14, 16, 18, 22)
	9010.75.54	1200	7,5	234	234	234	1170	6 x (H = 11, 14, 16, 18, 22)
9010.75.55	1500	7,5	210	210	210	210	8 x (H = 11, 14, 16, 18, 22)	
Design „Stripes“	9010.75.60	700	6,5	224	–	224	672	4 x (H = 11, 14, 16, 18, 22)
	9010.75.61	800	8,5	256	–	256	768	4 x (H = 11, 14, 16, 18, 22)
	9010.75.62	900	7,5	174	174	174	870	6 x (H = 11, 14, 16, 18, 22)
	9010.75.63	1000	7,5	194	194	194	970	6 x (H = 11, 14, 16, 18, 22)
	9010.75.64	1200	7,5	234	234	234	1170	6 x (H = 11, 14, 16, 18, 22)
	9010.75.65	1500	7,5	210	210	210	210	8 x (H = 11, 14, 16, 18, 22)

